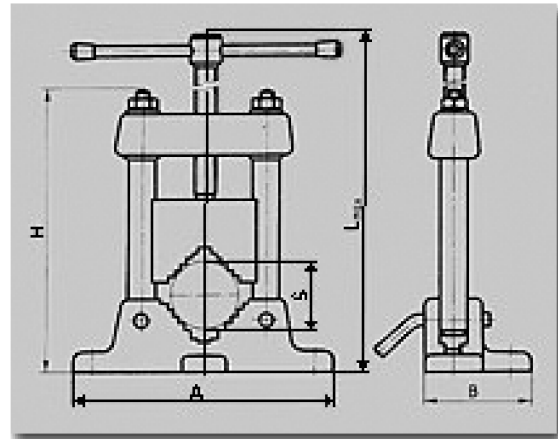




Bench vice for pipes

◆ type 1710



Fulfilment:

Vice is designed for clamping and working of pipes and tubes of any length. Body is made of high quality cast iron, other parts, including movable jaw, of steel, hardened and blackened.

Technical specification:

S-size	mm	50	80
A	mm	210	270
B	mm	98	108
H	mm	218	250
L max.	mm	360	400
Max. clamping force daN	kN	28	28
Weight	kg	6,0	9,0