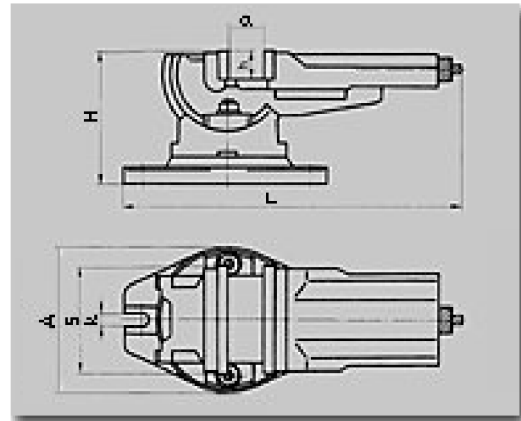




## Two angle swivel machine vices

### ◆ type 6530



#### Fulfilment:

Suitable for milling planing and drilling when two angle setting occur.

- sturdy design of cast iron
- lead screw fully covered
- additional adjusted body support when in horizontal position
- angle of incline from the horizontal position up to 90 gr.
- 360 gr swivel base with ground contact edge and a graduation
- removable grooved jaw inserts , hardened and ground
- thrust bearing in the power transmission makes operation easy

#### Standard accessories:

handcrank, slot, nuts, clamping bolts.

#### Technical specification:

S- size	mm	100	125	160
A	mm	144	168	212
H	mm	145	169	200
L	mm	372	437	450
a max.	mm	80	100	125
h	mm	32	40	50
k	mm	14	14	18
Max. clamping force daN	kN	25	35	40
Weight	kg	12,5	20,0	34,2