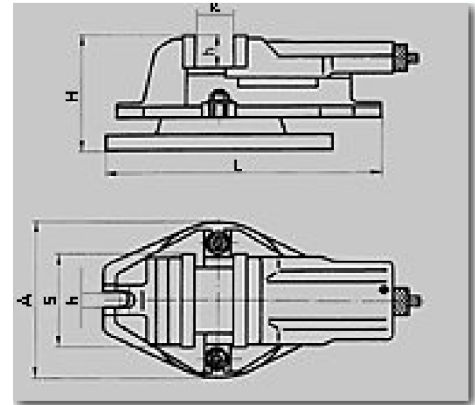
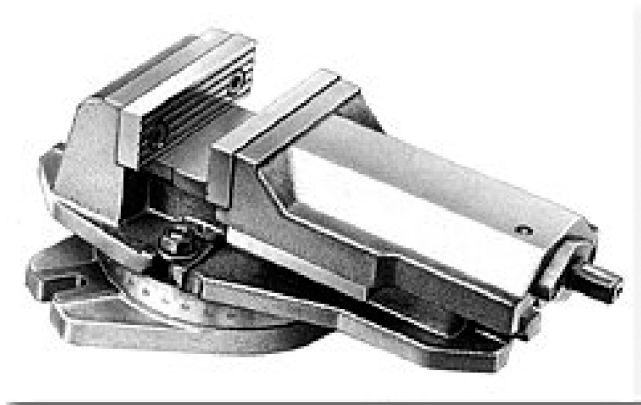




Swivel machine vices with rear jaw movable

◆ type 6537



Fulfilment:

Constructed the same as type 6512, except vices are mounted on swivel bases graduated 360 gr.

Technical specification:

S - size	mm	100	125	160	200	250
A	mm	168	168	212	271	360
H	mm	122	138	170	197	228
L	mm	309	347	423	515	615
a max.	mm	80	95	125	160	200
h	mm	32	40	50	63	80
k	mm	14	14	18	18	22
Max. clamping force daN	kN	25	35	40	55	62
Weight	kg	13,8	20,0	36,0	70,0	99,0