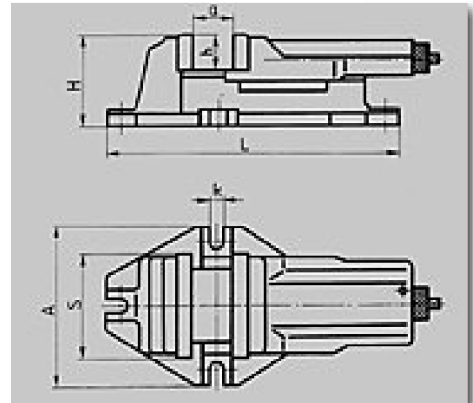
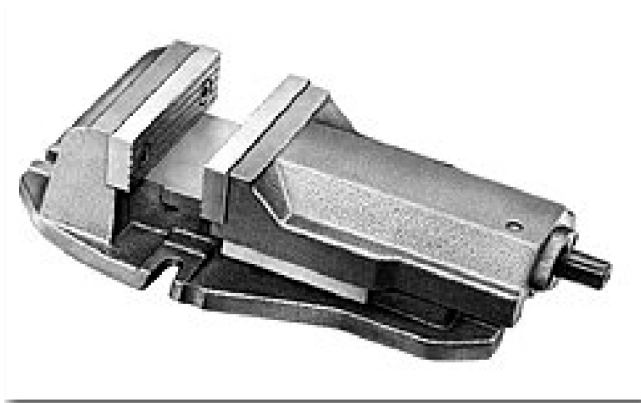




Machine vices with rear jaw movable

◆ type 6512



Fulfilment:

Can be used with milling machines, drill presses, etc. Low sturdy design this vice a very popular unit.

- Low sturdy desing
- Body and movable jaw are hight quality castings
- Long guidance of movable jaw
- Lead screw protected against dirt and chips
- Removable grooved jaw insert, hardened and ground
- Thrust bearing in the power transmission enables easy operation

Standard accessories:

handcrank, slot, nuts, clamping bolts

Technical specification:

S - size	mm	100	125	160	200	250
A	mm	156	156	193	256	316
H	mm	84	100	121	147	174
L	mm	294	347	423	515	615
a max.	mm	80	95	125	160	200
h	mm	32	40	50	63	80
k	mm	14	14	18	18	22
Max. clamping force daN	kN	25	35	40	55	62
Weight	kg	9,9	15,9	29,0	56,0	71,0