



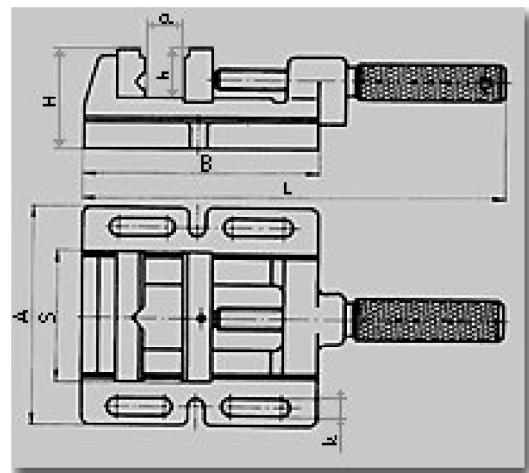
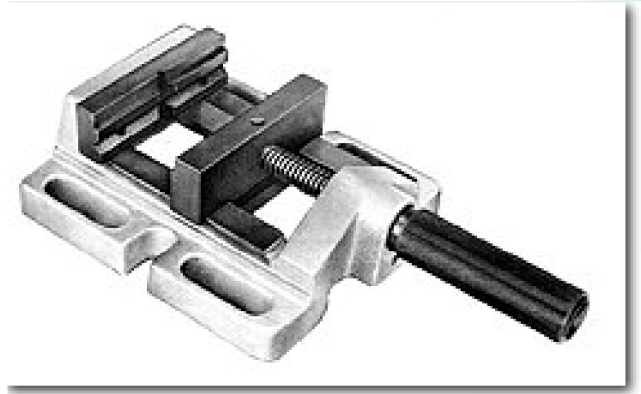
Drilling machine vice

◆ type 6543

Fulfilment:

Ideal for drilling and milling operations. Vertical and horizontal V - grooves on fixed jaw inserts and recess both jaws allows clamping wide variety of workpiece.

- Body is high quality casting
- Universal attachment possibility by clamping slots and elongated holes
- Both jaws with contact surface for clamping flat workpieces



Technical specification:

S - size	mm	85	100	120	150
A	mm	140	152	176	208
B	mm	152	170	212	262
H	mm	64	64	64	66
L	mm	265	285	360	442
a max.	mm	70	85	120	150
h	mm	30	30	30	38
k	mm	11,0	13,5	13,5	13,5
Max. clamping force daN	kN	4,0	5,0	6,5	8,0
Weight	kg	3,4	4,0	6,0	8,4