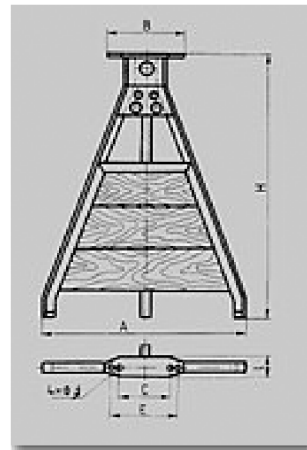




Tripod for pipe vice

◆ type 1711



Fulfilment:

Lightweight portable base for type 1710 vice. Made from steel profiles as a welded construction. Telescopic foot makes quick assembling and carrying to any work place possible.

Technical specification:

A	mm	710
B	mm	267
C	mm	175
E	mm	230
H	mm	922
I	mm	70
d	mm	13
Vices 1710		50 a 80
Weight	kg	14,6