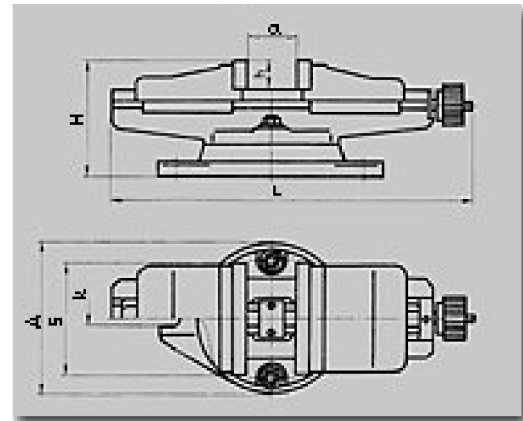
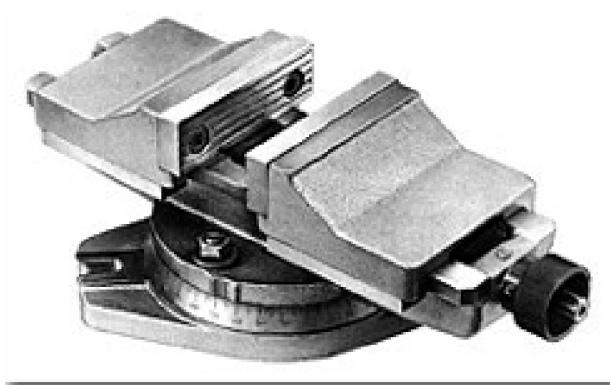




Self - centring machine vices

◆ type 6531



Fulfilment:

For milling and planing of forms, slots and grooves of all kinds. Owing to the centered clamping various workpiece widths have an effect on the central location of the workpiece.

- sturdy design of cast iron
- centric clamping by right-hand threaded spindle
- 360 gr. swivel base with ground contact edge and graduation
- removable grooved jaw inserts, hardened and ground

Standart accessories:

handcrank, slot, nuts, clamping bolts

Technical specification:

S-size	mm	125	160	200
A	mm	168	212	286
H	mm	136	169	185
L	mm	458	534	591
a max.	mm	100	125	160
h	mm	40	50	63
k	mm	14	14	18
Max. clamping force daN	kN	35	40	55
Weight	kg	19,2	33,5	59,0