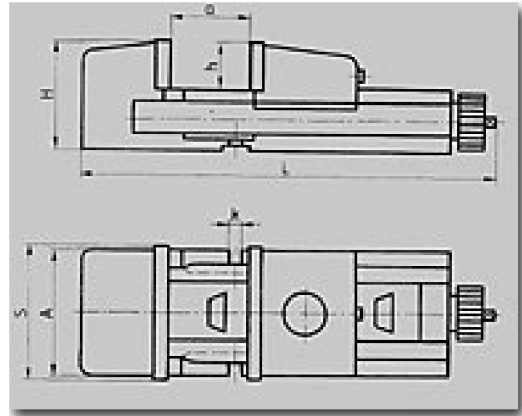
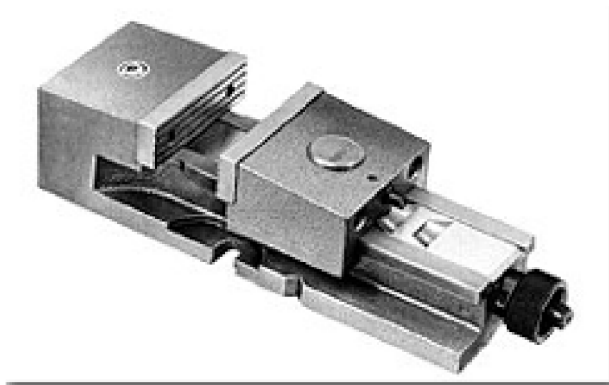




## Cam-lock machine vices

### ◆ type 6517



#### Fulfilment:

The rear movable jaw can be placed in different positions through a unique cam lock system making rear jaw positioning fast and easy.

- maintains its accuracy while clamping repeatedly
- low sturdy design
- body and rear jaw are high quality castings
- fully ground steel position beam
- fully covered lead screw
- reversible jaw inserts, one side smooth, the other side grooved, hardened and ground
- thrust bearing in the power transmission enables easy operation

#### Standard accessories:

handcrank, slot, nuts, clamping bolts

#### Technical specification:

S - size	mm	100	125	160	200
A	mm	98	122	156	194
H	mm	85	105	125	150
L	mm	346	418	524	695
a	mm	0 - 125	0 - 160	0 - 180	0 - 280
h	mm	32	40	50	63
k	mm	14	14	18	18
Max. clamping force daN	kN	18	25	42	62
Weight	kg	10,6	20,4	38,0	78,0