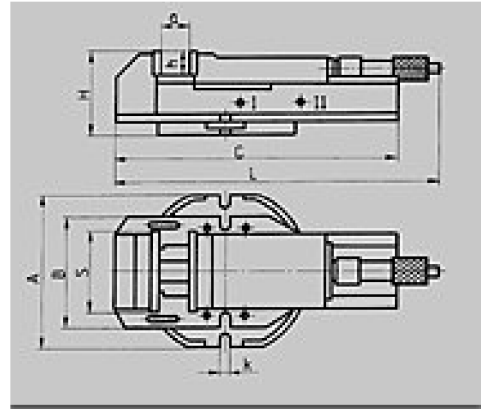
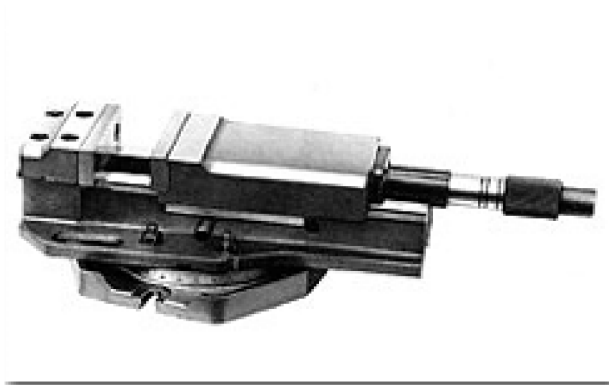




Swivel machine vices with hydraulic spindle

◆ type 6515



Fulfilment:

These heavy duty machine vices are used in operations where large clamping force is required. A unique hydraulic spindle built-in makes operation of the vice free of fatigue.

- except are mounted on swivel bases graduated 360 gr.
- Body and movable jaw are high quality castings
- Adjusting of clamping range by means of 1 pin
- Sturdy spindle free of maintenance
- Long guidance of movable jaw
- Removable grooved jaw inserts, hardened and ground

Standard accessories:

handcrank, slot, nuts, clamping bolts

Technical specification:

S - size	mm	125	160	200
A	mm	270	325	380
B	mm	425	565	675
C	mm	67	80	99
H	mm	139	164	207
L	mm	530	615	795
a max.	mm	0 - 205	0 - 280	0 - 375
h	mm	42	50	63
k	mm	14	18	18
Max. clamping force daN	kN	30 - 35	50 - 55	70 - 75
Weight	kg	28,0	68,4	121,0